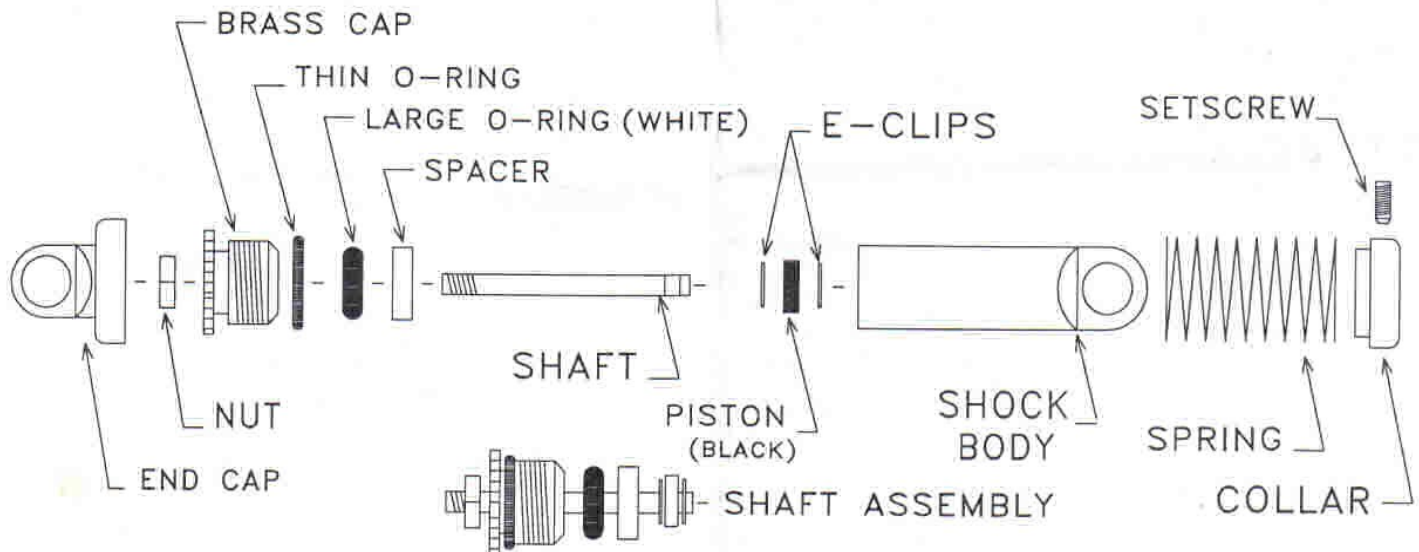


# BL-5171 SHOCK ASSEMBLY



Remove all parts from bag. Make sure no small parts are left inside shock body. Snap one of the small E-clips on to the groove closest to the middle of the shaft. Slide the piston (black plastic) onto the shaft and install the other E-clip. Slide the white plastic spacer down the shaft, then the white rubber o-ring.

Carefully install the thin black o-ring down past the threads on the brass end cap. Look inside the shock body, you will see a ridge about 1/8" below the bottom of the threads. Fill shock to approximately 1/8" below the ridge with BL-6028 shock fluid. Now push shaft assembly into shock slowly. Push it all the way to the bottom to remove any air in the bottom and lift up about 1/8". Carefully install brass end cap, if tightening of brass cap forces shaft out of shock, you have too much fluid in it. Remove a small amount and re-install shaft and brass end cap. Hold flat part of shock and tighten cap. **DO NOT HOLD BODY OF SHOCK WITH PLIERS.** This can destroy shock. Now extend shaft, install brass nut and end cap. Make sure nut is tight against cap. Use thread lock if you wish.

Slide spring down over shock body and install collar and set screw. **DO NOT OVER-TIGHTEN SET SCREW.** These shocks come with soft springs. Stiff springs are available, order BL-5173.